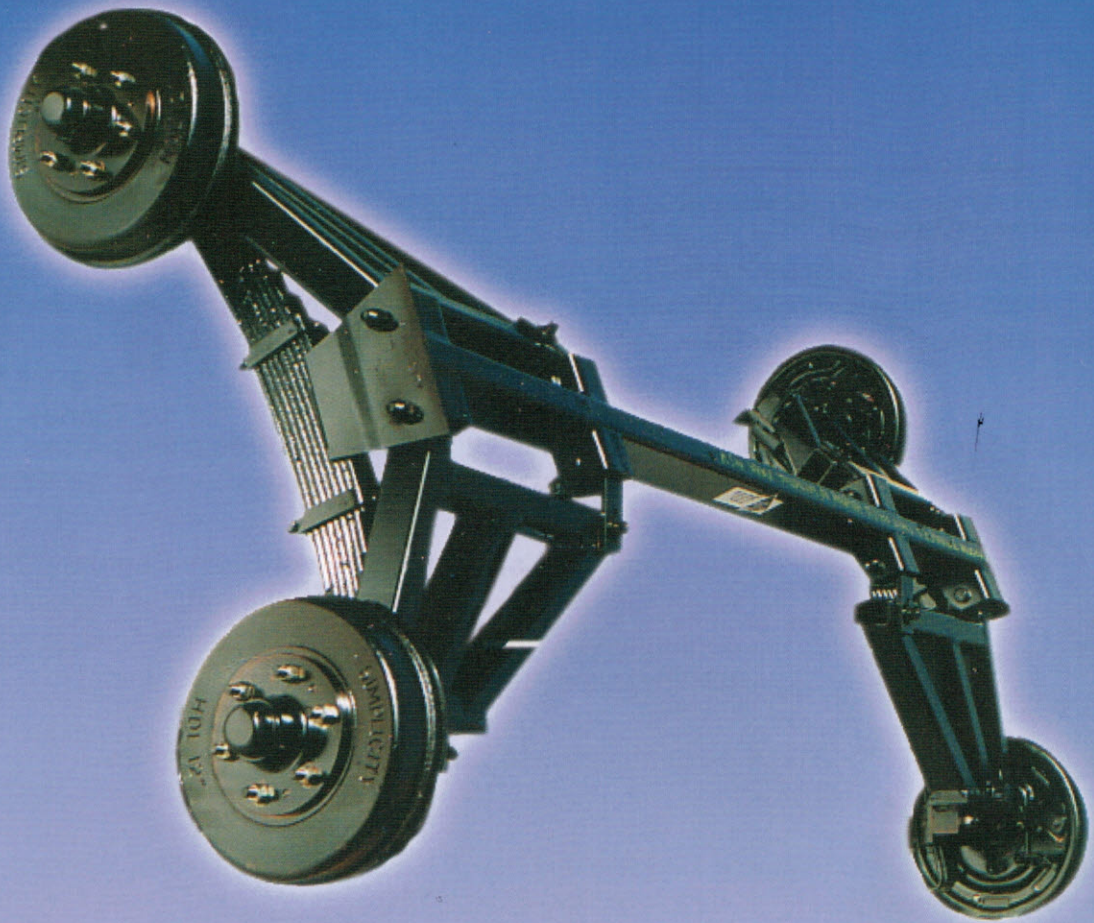


Simplicity Axles™

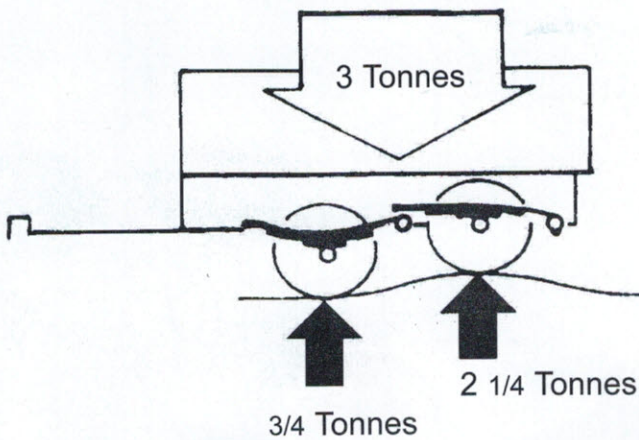


Manufactured and Designed in Australia for Australian Conditions

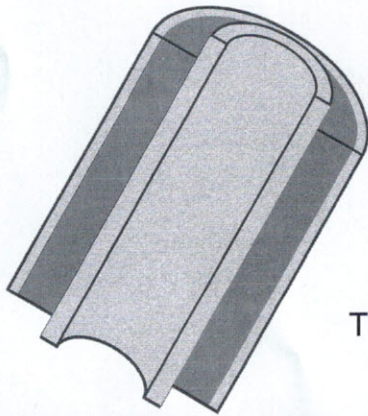
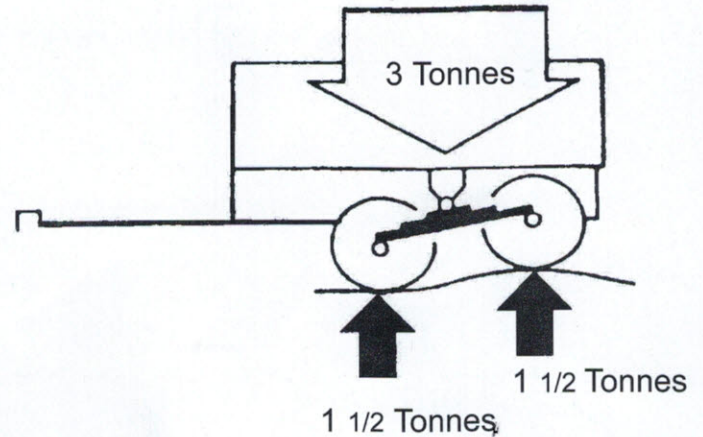
Loadsharing suspensions must be designed so that each axle in a group carries the same load irrespective of the relative movement of the wheels.

Example:

NON-LOAD SHARING



LOAD SHARING



Sectional view of Simplicity Pivot Bush. Featuring Steel Outer Bush, Steel Inner Bush and a polyurethane membrane. Used in conjunction with polyethelene Thrust Washers. Creating a complete maintenance free bushing system.

These pivot bushes are used on all Simplicity Axles.™

Most standard wheel stud patterns are available on request. Coupled with a choice of brakes including Electric or Hydraulic Drum Brakes or Hydraulic Disc Brakes. Mechanical Drum Brakes are also available on smaller capacity units.

Most larger capacity units come equipped as standard with all steel hubs and replaceable brake drums or rotors which in turn reduces unsprung weight whilst greatly increasing strength.

Tandem units are available in either straight, overlay or drop configurations offering a wide variation of vehicle ride heights.

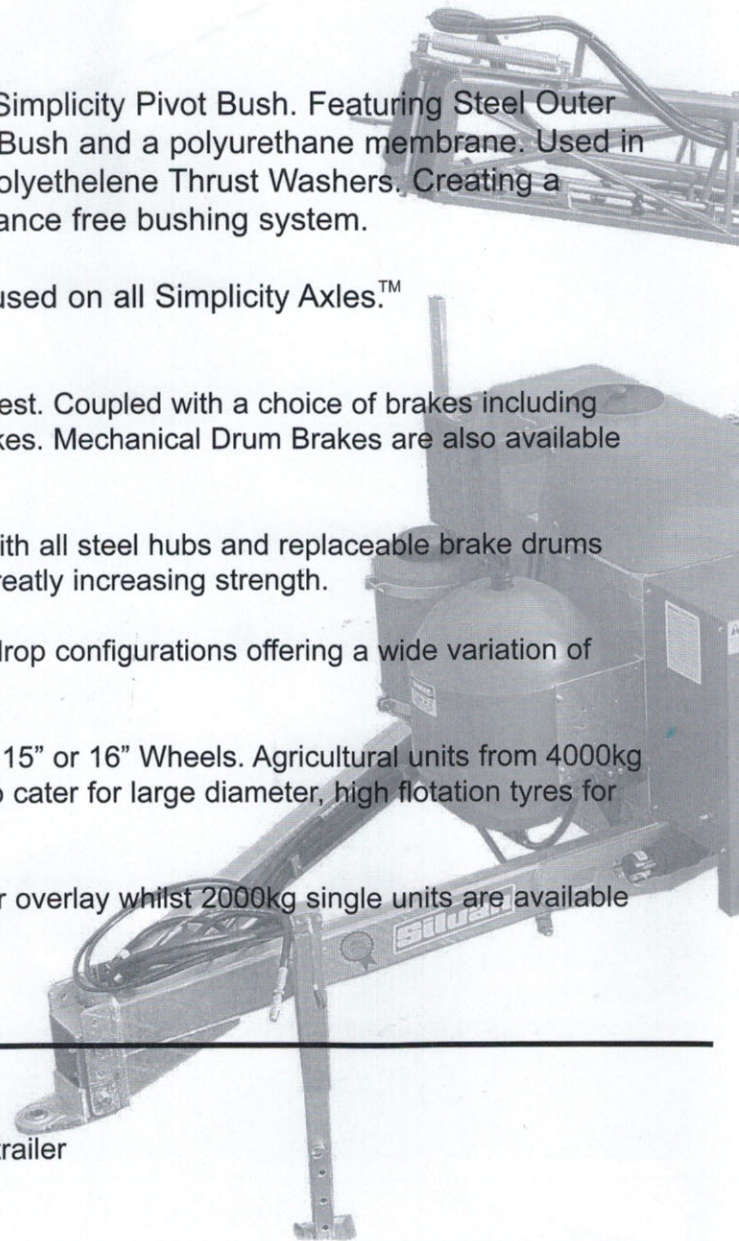
Wheel centres on Onroad units are available to suit 14", 15" or 16" Wheels. Agricultural units from 4000kg to 6000kg, can be supplied with various wheel centres to cater for large diameter, high flotation tyres for reduced soil compaction.

Single units 500kg to 1600kg, are available as straight or overlay whilst 2000kg single units are available as straight or drop units.

Simplicity Axles™ are used by:

- Leading Caravan Manufacturers
- Agricultural Implement Manufacturers
- Australian Army and Air Force on the off road 1250kg trailer
- Plant and Equipment Operators
- Commercial Carrying Companies

ALL WITH GREAT SUCCESS!



The superior ride and handling characteristics of Simplicity Axles™ coupled with our precision engineered design and state of the art manufacturing techniques ensure a long and trouble free operation.

Simplicity Axles™ are fitted to Caravans, Horse Floats, Plant and equipment trailers, Header comb and Fuel Trailers, Boom Spray and Airblast Spray Units, Boat and Car Trailers. Also popular with various Councils and Government Departments. Many satisfied users, having once upgraded to Simplicity Axles™ ALWAYS specify Simplicity Axles™.

N.P. Hauffe & Co. has a long history in the Transport Industry and presently there have been in excess of 15,000 axle systems sold throughout Australia, over the past decade, for both commercial and recreational use. This would testify to our claim that Simplicity Axles™ are specifically designed to withstand arduous Australian conditions. Spare parts for any Simplicity Axles™ are always available by simply quoting the individual serial number of your axle. If you buy genuine parts they will always fit and perform the task for which they were designed.

Simplicity Axles™ also feature a unique toe in - toe out adjustment, reduced unsprung weight, smoother ride and built in sway control. Every component used in the construction is the best available, consistent with and sometimes irrespective of price.

From the 500kg capacity rubber sprung single axle to the 6 tonne tandem used for off road Agricultural Implements there is a Simplicity Axle to suit your specific needs whether for commercial, recreational or agricultural use.

Single/Simplicity Axles:™

500kg to 2200kg.

Simplicity Axles™ feature a trailing arm using our convoluted rubber springs for a very light, cushioned ride. Leaf springs are used on our heavier units.

(Note: It is essential that the appropriate wheels and tyres be fitted, suited to each configuration.)

On Road-Tandem/Simplicity Axles:™

2000kg to 4400kg.

Able to achieve full wheel articulation in an unladen state.

OFF ROAD Agricultural-Tandem/Simplicity Axles:™

500kg to 6000kg.

All the features of our on-road units however restricted to a 30kph maximum.

N.P. Hauffe & Co. believes that Tandem Simplicity Axles™ are the only proven long-term independent **LOAD-SHARING** unit available in the light trailable vehicle market.

Tandem

Load Capacity: 2000kg, 2250kg, 2500kg, 3000kg, 3500kg, 4000kg, 4400kg gross.

Main Beam:GD.350 RHS

Pivot Bush Assembly: 3 piece Steel & Polyurethane Bush 8 off, with polyethelene thrust washers, 5/8 bore.

Hub type:

2000kg to 2250kg: 1 piece cast iron.
2500kg upwards: All steel hub with demountable cast iron brake drum or rotor.

Springs: Semi Elliptic reverse mounted double slipper.

Spring Location Pivot: Steel pressing with Graphite impregnated polyurethane rubbing block.

Single

Load Capacity:500kg to 2200kg gross.

Main Beam: GD 350 RHS

Pivot Bush Assembly: 3 piece Steel & Polyurethane Bush 4 off with polyethelene thrust washers. 1/2" bore.

Hub Type: 1500kg.- 1 piece cast iron
1600kg, 1800kg & 2000kg. units All steel hub with demountable cast iron brake drum or rotor.

Springs: Eye & Slipper

Eye & Eye: 1800kg & 2000kg units
Spring Location Pivot: Delron Bush.

Tandem & Single

Brake options:

Electric 10" x 2 1/4", 12 x 2 1/4" (15" or 16" wheels).

Hydraulic: 9" x 1 3/4", 12 x 2".

Mechanical: 9" x 2"

Disc 10 1/2" x 7/8" Hydraulic disc.

Grade 8 High Tensile Bolts used throughout.

Photographs courtesy of:

Capella Sales and Engineering

Coolamon Steel Works

Evernew Caravans

Haulmark Trailers Australia

Hayes Spraying

Roadstar Caravans

Silvan Pumps and Sprayers Australia.

Seals:

Composite: HAU 865

Slimline: HAU 864

A75: HAU 863,

A75H: HAU 862

Large Journal Bearings

Type of Hub	Journal size	Cup/Cone
Composite	1.250	LM67010/LM67048
Slimline	1.377	L68110/L68149
A75L	1.500	16284R/16150R
A75	1.500	2720/2788
A75H	1.687	26823/26884

Small Journal Bearings

Journal size	Cup Cone	Load Capacity
0.866	LM12710/12749	Per Wheel 680kg
0.866	LM12710/12749	750 kg
1.250	LM67010/67048	1,200kg
1.250	LM67010/LM67048	1,200kg
1.377	L68110/68149	1,400kg

Distributor:

Proudly Designed & Manufactured by:

N.P. HAUFFE & Co.

A Division of NPNH Nominees P/L,

A.B.N. 80 285 420 392

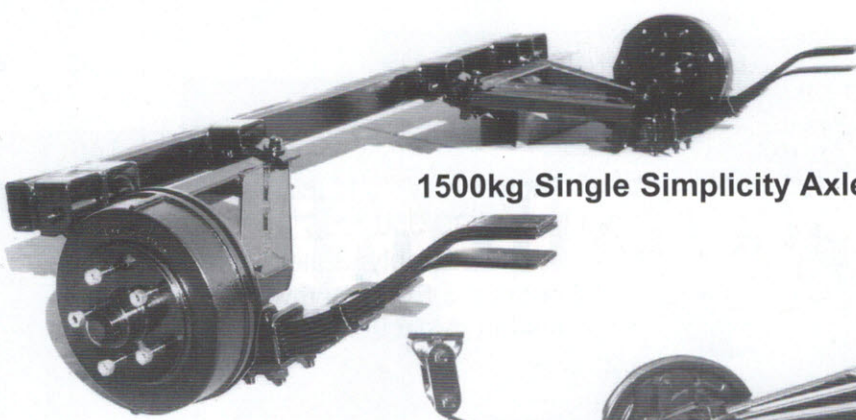
2 Childs Road, Epping Victoria 3076.

Phone: 03 9401 4077 Fax: 03 9401 3077

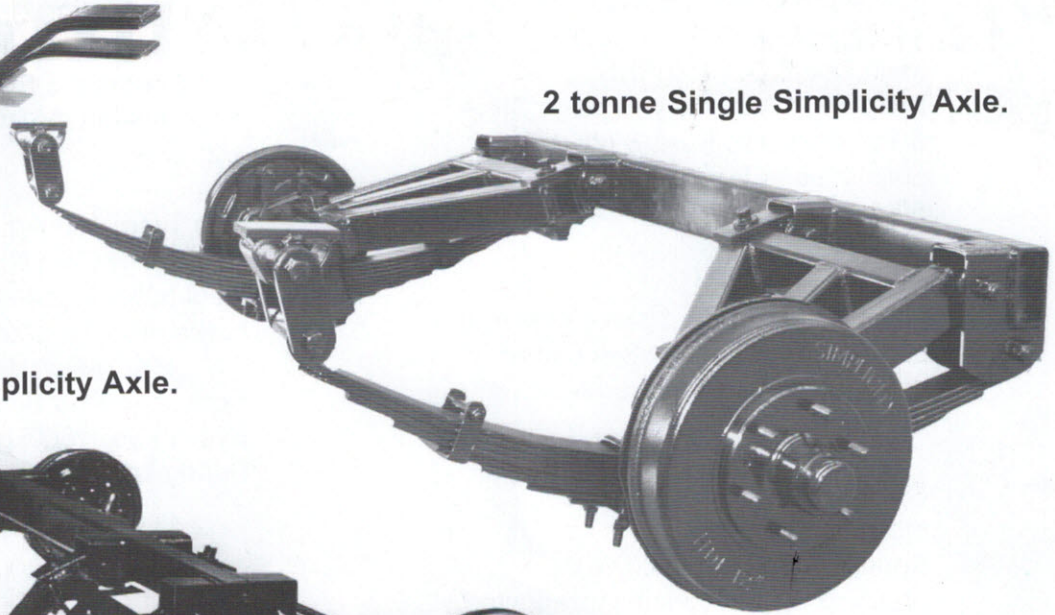
Email: hauffe@netconnect.com.au

www.simplicityaxles.com.au

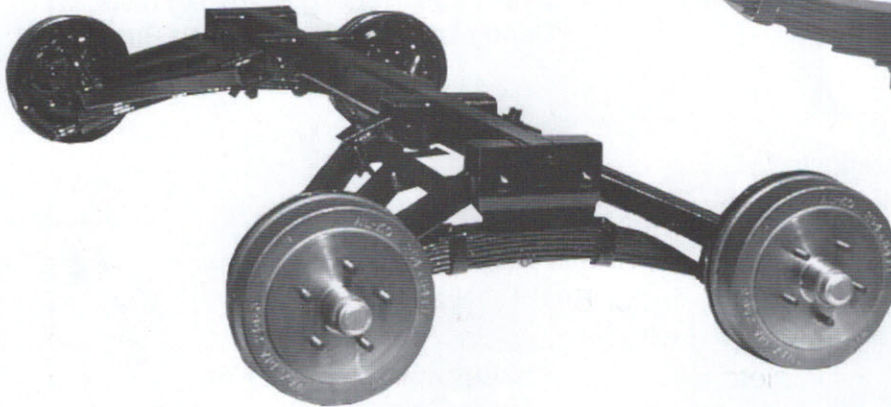
1500kg Single Simplicity Axle.



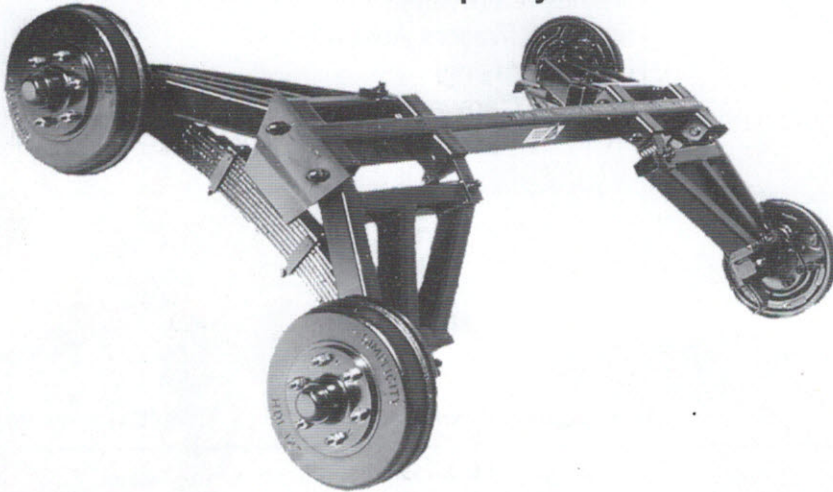
2 tonne Single Simplicity Axle.



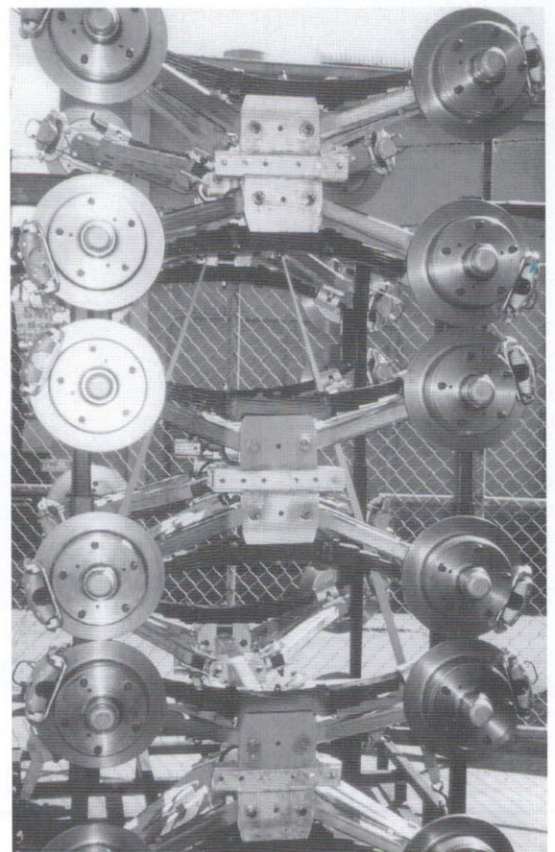
2 Tonne Tandem Simplicity Axle.



4.4 Tonne Tandem Simplicity Axle.



Axles ready for dispatch.



6 Tonne Tandem (off road use only) Simplicity Axle.

Simplicity Axles™

Proudly Designed & Manufactured by: N.P. HAUFFE & Co. A division of NPNH Nominees P/L A.B.N. 80 285 420 392.
2 Childs Road, Epping Victoria 3076. Phone: 03 9401 4077 Fax: 03 9401 3077
Email: hauffe@netconnect.com.au www.simplicityaxles.com.au

